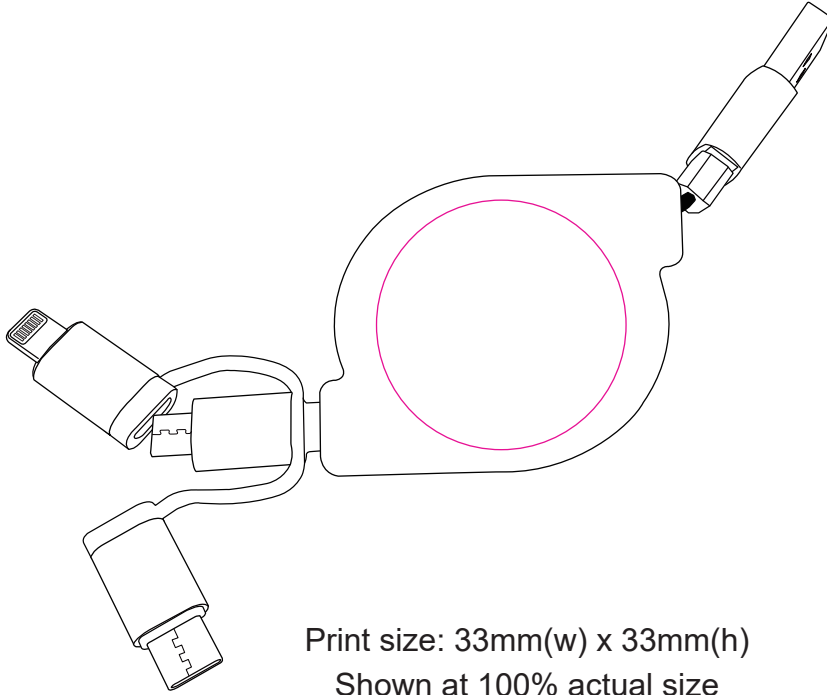


Product: PCBA85
Product Size: 48 x 40 x 17 mm (body), 90cm(cable length)
Decoration Options: Screen Print

side1



side2

